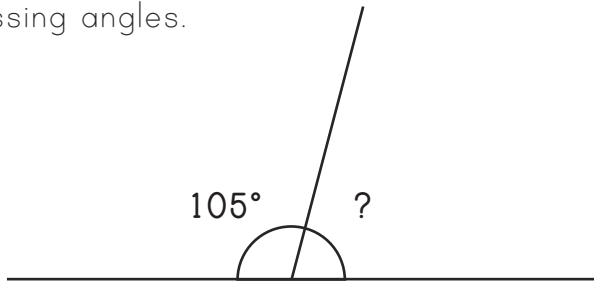


Supplementary Angles

Find the missing angles.

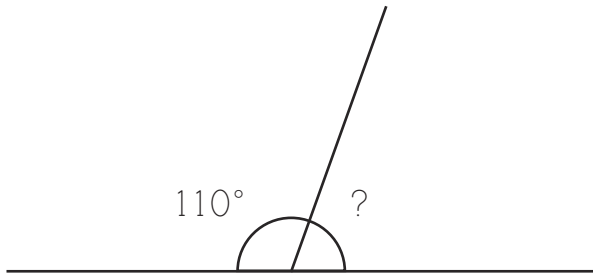
Example:



The missing angle is:

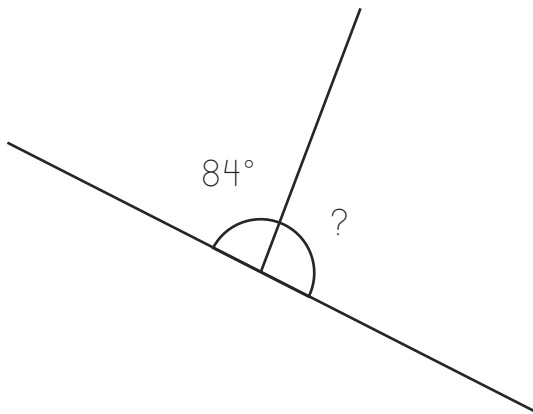
$$180 - 105 = 75^\circ$$

1.



The missing angle is:

2.



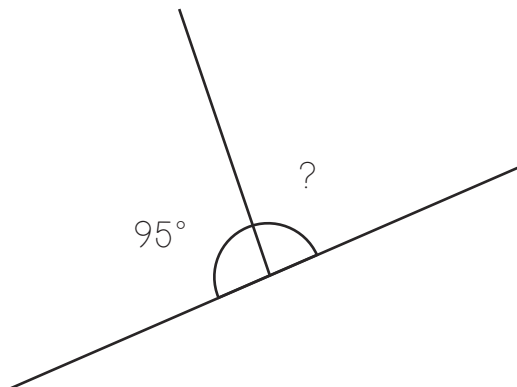
The missing angle is:

3.



The missing angle is:

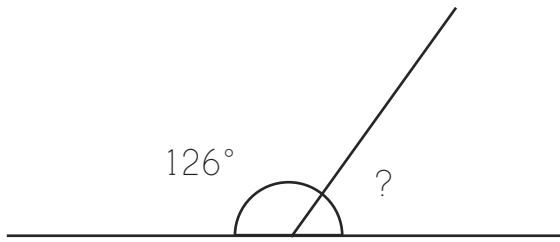
4.



The missing angle is:

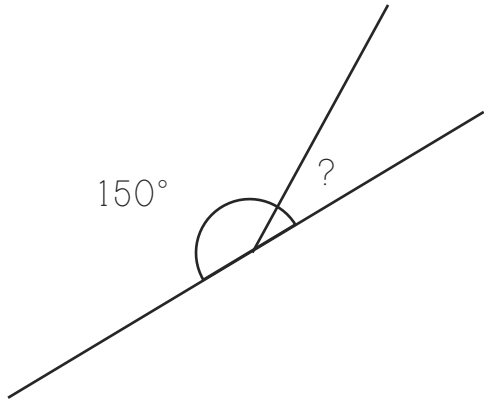
Supplementary Angles

5.



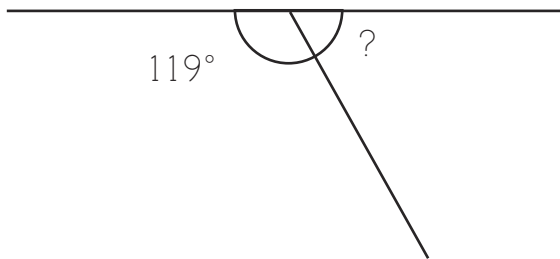
The missing angle is:

6.



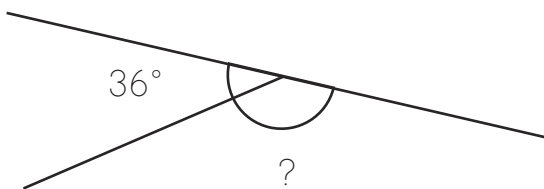
The missing angle is:

7.



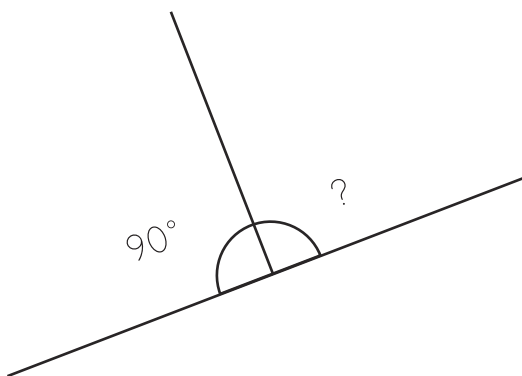
The missing angle is:

8.



The missing angle is:

9.



The missing angle is:

10.



The missing angle is: